

THIS COPY IS PROVIDED ON A RESTRICTED BASIS AND IS NOT TO BE USED IN ANY WAY DETRIMENTAL TO THE INTERESTS OF PANDUIT CORP.

PANDUIT PART NUMBER	STUD SIZE	DIMENSIONS in.				
		A $\pm .040$	W $\pm .010$	C $\pm .020$	M $\pm .040$	H $\pm .010$
PNF10-6LF-2K	#6	1.02 (25.91)	.30 (7.62)	.21 (5.33)	.79 (20.07)	.14 (3.56)
PNF10-8LF-2K	#8	1.05 (26.67)	.30 (7.62)	.21 (5.33)	.79 (20.07)	.16 (4.06)
PNF10-10LF-2K	#10	1.05 (26.67)	.34 (8.64)	.21 (5.33)	.79 (20.07)	.19 (4.83)
PNF10-14LF-2K	1/4"	1.19 (30.23)	.46 (11.68)	.32 (8.13)	.90 (22.86)	.25 (6.35)

NOTES :

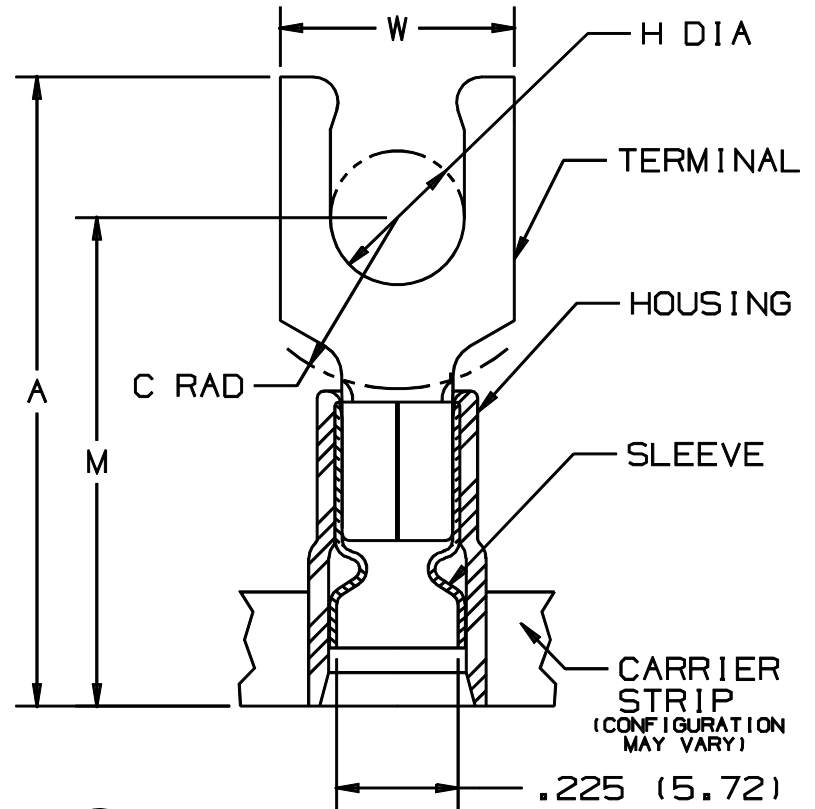
- UL LISTED AND CSA CERTIFIED FOR :
  - 600 V MAX. VOLTAGE RATING
  - 221°F (105°C) MAX. TEMP. RATING
  - #12-10 AWG (2.5-6.0 mm<sup>2</sup>) SOLID OR STRANDED, COPPER WIRE
- PACKAGE QTY. : 2K = 2000 PCS.  
CONTINUOUS MOLDED CARRIER STRIP
- MATERIAL :
  - STAMPING - .04" THK COPPER, TIN PLATED
  - HOUSING - YELLOW NYLON
  - SLEEVE - BRASS, TIN PLATED
- DIMENSIONS IN BRACKETS ARE IN MILLIMETERS
- INSTALLATION TOOLS :
  - PRESSES - CP-851, CP-860, CP-861
  - APPLICATOR - CA-800
  - DIE INSERTS - CD-800-3
- WIRE STRIP LENGTH:  $1\frac{1}{32}^{+1/32}_{-0}$  (8.7<sup>+0.8</sup><sub>-0</sub>)



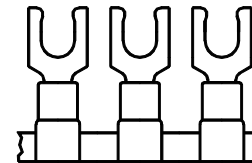
LISTED  
587H  
E52164



CERTIFIED  
LR31212



.225 (5.72)  
MAX WIRE  
INSUL DIA  
.135 (3.43)  
MIN. WIRE  
INSUL. DIA.



A41146\_05

05	1/01	KMD		FILE SPEC. WAS N41146AA_PCD_04							TINLEY PARK, ILLINOIS	
04	5/99	ED		UPDATED "A" & "M" DIM.S, AND MODIFIED DIMENSIONAL TOLERANCES	07670							
03	1/97	JAMB	RLS	ADDED DIM., "MIN. WIRE INSULATION DIA.	05444	LA	DBH	TERMO 3PC. CONTINUOUSLY MOLDED NYLON (FUNNEL) INSULATED, 12-10 BARREL, LOCKING FORKS				
02	9/96	TSMA	RLS	REVISED DIMS AND TOLERANCES, ADD NOTE #6	05072	LA	DBH					
REV	DATE	BY	CHK	DESCRIPTION	ECN	QA	CUST	PM	DRAWN BY GRM	CHK'D LA	SCALE NONE	DRAWING NO. A41146